

IntelliCare Manual Dispenser



UNITED STATES

8215 Forest Point Blvd
Charlotte NC 28273
USA
Phone: +1 (980) 221-3236
sealedair.com

CANADA

Address: 3755 Laird Road
Mississauga, Ontario
L5L 0B3 Canada
Phone: +1 (905) 829-1200
sealedair.com

EUROPE

Maarssebroeksedijk 2
NL - 3542DN Utrecht
The Netherlands
Phone: +31 (0)30 247 6911
sealedair.com

I.1 DISPENSER INSTALLATION NOTES

NOTE: SEE KEY DISPENSER DIMENSIONS BELOW (1.2). IF INSTALLING WITH DRIP CATCH OR ELBOW BAR, SEE CRITICAL DIMENSIONS BELOW (1.5 Drip-Catch and 2.2 Elbow Bar)

1. Remove key from back of housing. (Reference 'Key Location' in section 1.2, below)
2. The dispenser should be mounted 12 inches (30.5 cm) above the counter-top, sink or other surface.
3. If replacing soap dispenser on wall, determine if any of the holes match up on the Sealed Air unit. Unit is designed to at least partially match numerous soap dispensers.
4. Mount the dispenser to wall using proper mounting hardware for your particular wall composition. Go to section 3.0 for specific dispenser mounting instructions.

NOTE : TAPE & SCREWS/ANCHORS ARE PROVIDED FOR INSTALLATION.

DISCLAIMER : If refills (Soap) used other than certified SA soap, SA is not responsible for any dispenser issues.

I.2 DIMENSIONS, KEY LOCATION, OPENING & CLOSING DISPENSER

****KEY OUTER DIMENSIONS OF DISPENSER : (H)10.24" [260MM] x (W)6" [152.4MM] x (D)4" [101.6mm]**



KEY LOCATION

Remove cover key (a) from back of housing.

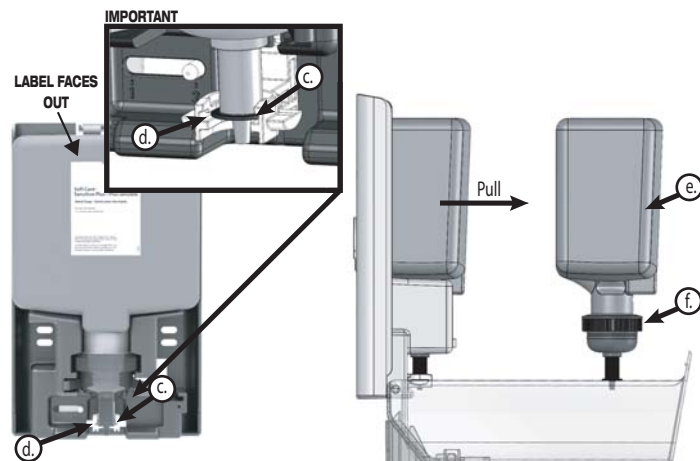
OPENING COVER

Insert key into holes on top of cover then pull cover forward.

CLOSING COVER

To close the cover, simply PUSH the top of cover closed to 'Click' shut (b).

I.3 REFILL PLACEMENT & REMOVAL



TO INSERT REFILL

Push refill into place to ensure the FLANGE of the Soap Nozzle (c) is seated into the correct location (d). If not, the dispenser will not pump correctly.

TO REMOVE REFILL

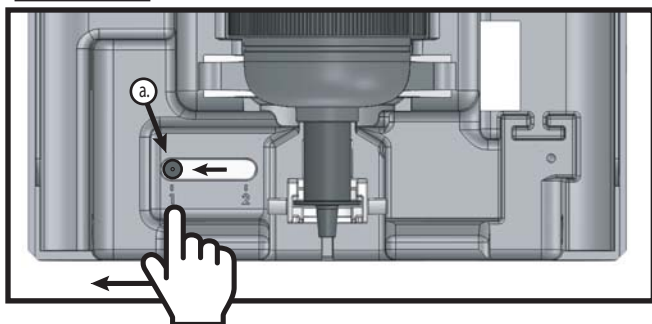
Pull the Container (e) and the Pump Housing (f). Please recycle accordingly.

I.4 DOSE SIZE CONTROL GUIDE

**To change dose setting, open dispenser cover and slide the red Dose Control Switch (a) to your desired dose size,

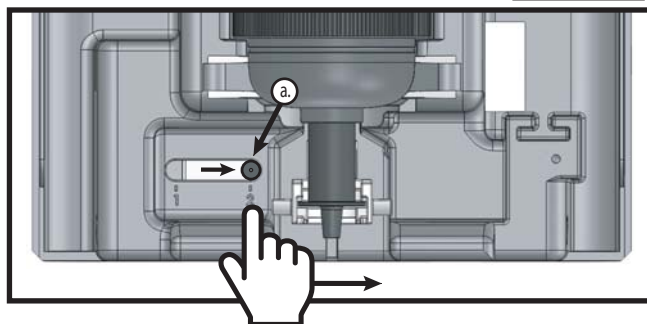
Ensure you slide the Control Switch (a) ALL the way to the left or right.

HIGH DOSE SETTING



SLIDE DOSE CONTROL SWITCH (a) TO THE LEFT for the HIGH Dose Setting #1.

LOW DOSE SETTING

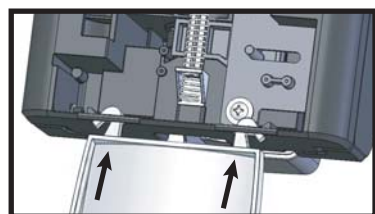


SLIDE DOSE CONTROL SWITCH (a) TO THE RIGHT for the LOW Dose Setting #2.

I.5 OPTIONAL DRIP-CATCH INSTALLATION

FRONT VIEW

REAR VIEW BOTTOM

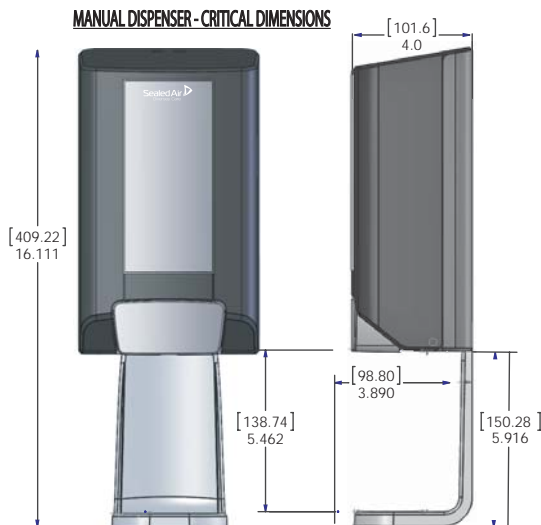


Insert drip catch hooks (a) through rectangular slots located at the backside of the dispenser. The Drip-Catch with SNAP into place.

NOTE: The Drip Catch is not designed to be removed. However, if going to remove for cleaning please be careful not to damage the dispenser. The drip catch also might be damaged after removing.

DISCLAIMER: If other drip catch used, Sealed Air not responsible for damage.

MANUAL DISPENSER - CRITICAL DIMENSIONS

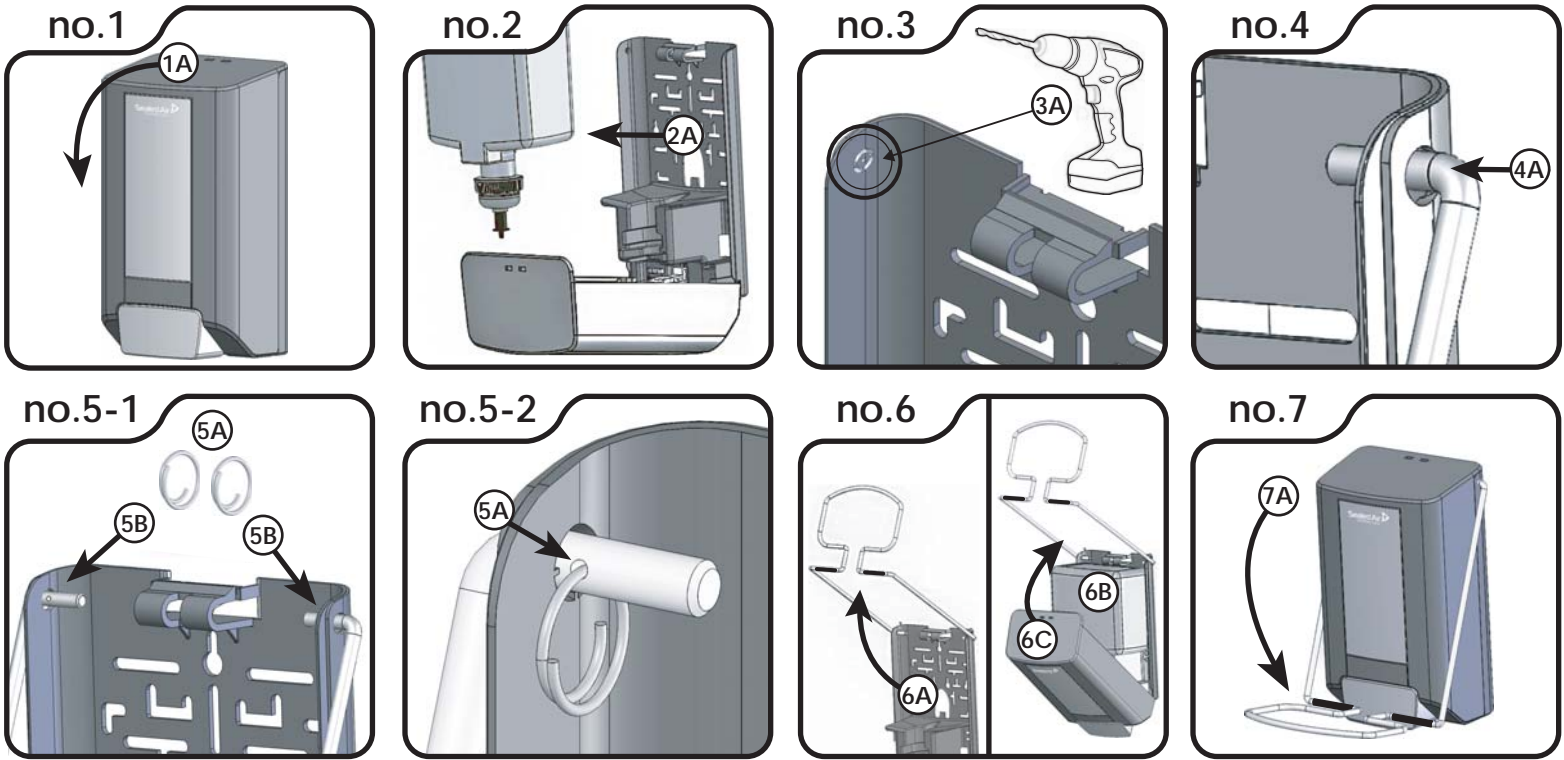


DRIP - CATCH ATTACHED



2.1 ELBOW BAR INSTALLATION

****NOTE: ELBOW BAR CAN BE INSTALLED BEFORE OR AFTER DISPENSER IS AFFIXED TO WALL.**



no.1 Unlock and open Manual Dispenser cover (1A).

no.2 Remove Refill Bottle (2A) from Dispenser.

no.3 Use a drill with a 9/32" (7 MM) bit to bore a hole in to the 2 pilot holes (3A) located on the inside left and right sides of the housing unit.

no.4 Insert the Elbow Bar ends (4A) in to each of the holes from the outside. **NOTE: COTTER RINGS (5-1 & 5-2) ARE OPTIONAL.**

no.5-1 Insert Cotter Rings (5A) through Elbow Bar holes (5B).

no.5-2 Cotter Ring (5A) correctly installed close up view.

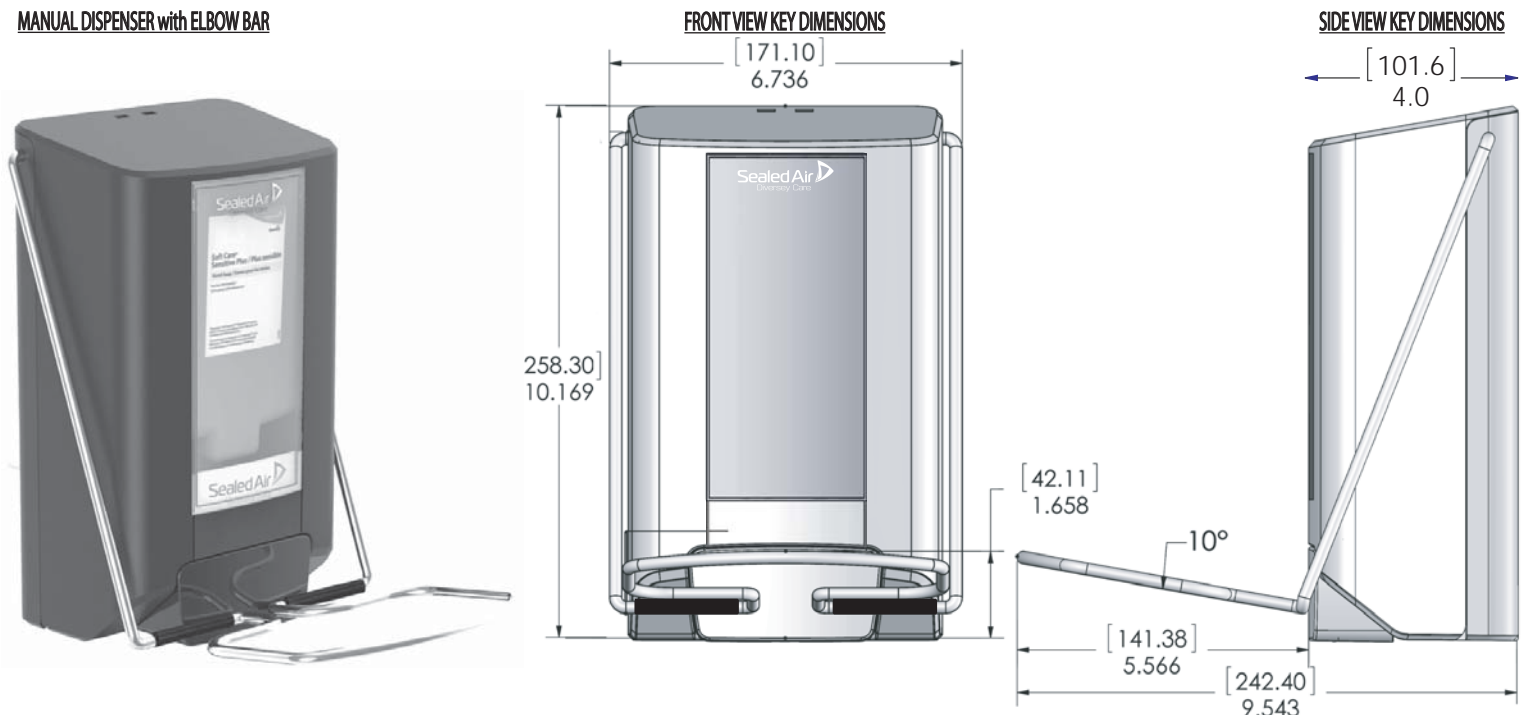
no.6 Lift up the elbow bar to a vertical position (6A). Re-install the Refill bottle (6B) before closing the dispenser cover (6C).

no.7 To complete the installation, lower the Elbow Bar (7A) so that it rests in place on top of the Push Lever.

NOTE: To replace refill, you must LIFT up the Elbow Bar (similar to 6A) first, then UNLOCK and LOWER the COVER. After replacement of refill, CLOSE cover FIRST(6C) before lowering the Elbow Bar (7A).

2.2 ELBOW BAR - KEY DIMENSIONS

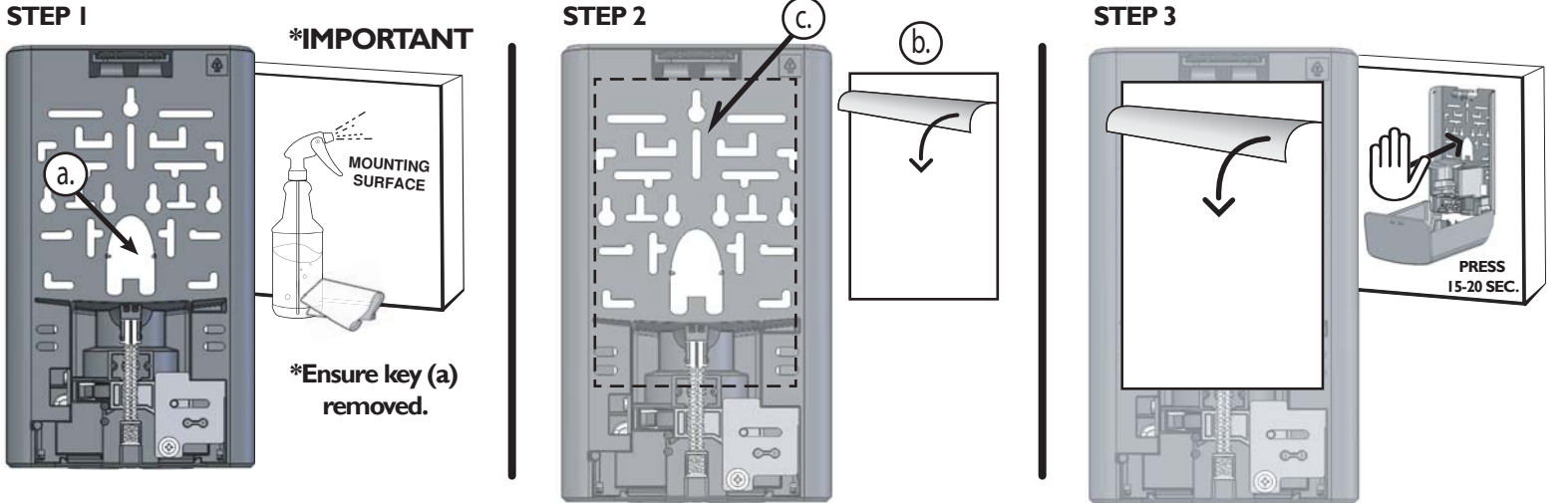
MANUAL DISPENSER with ELBOW BAR



3.0 DISPENSER MOUNTING INSTRUCTIONS

1. Ensure the Key is removed from the housing. See Step 1 under 3.1 Below.
 2. The dispenser should be mounted 12 inches (30.5 cm) above the counter-top, sink or other surface.
 3. If replacing soap dispenser on wall, determine if any of the holes match up on the Sealed Air unit. Unit is designed to at least partially match numerous soap dispensers.
 4. Mount the dispenser to wall using proper mounting hardware for your particular wall composition. See 3.1 (Tape Mounting Instructions) and 3.2 (Screw Mounting Instructions)
- NOTE :** Tape can be used effectively for installations on mirrors and tile.

3.1 TAPE MOUNTING INSTRUCTIONS



Step 1: Tape mounting is recommended for mirror installations.

For tile or other wall installations, anchor & screw mounting is recommended.

If tape mounting is the only option, thoroughly clean the mounting surface (wall) using the supplied alcohol wipe and make sure all dirt, grease and surface film is removed.

After cleaning, ensure the mounting surface is given time to completely dry, or wipe dry with a clean paper towel before attaching the dispenser to the wall.

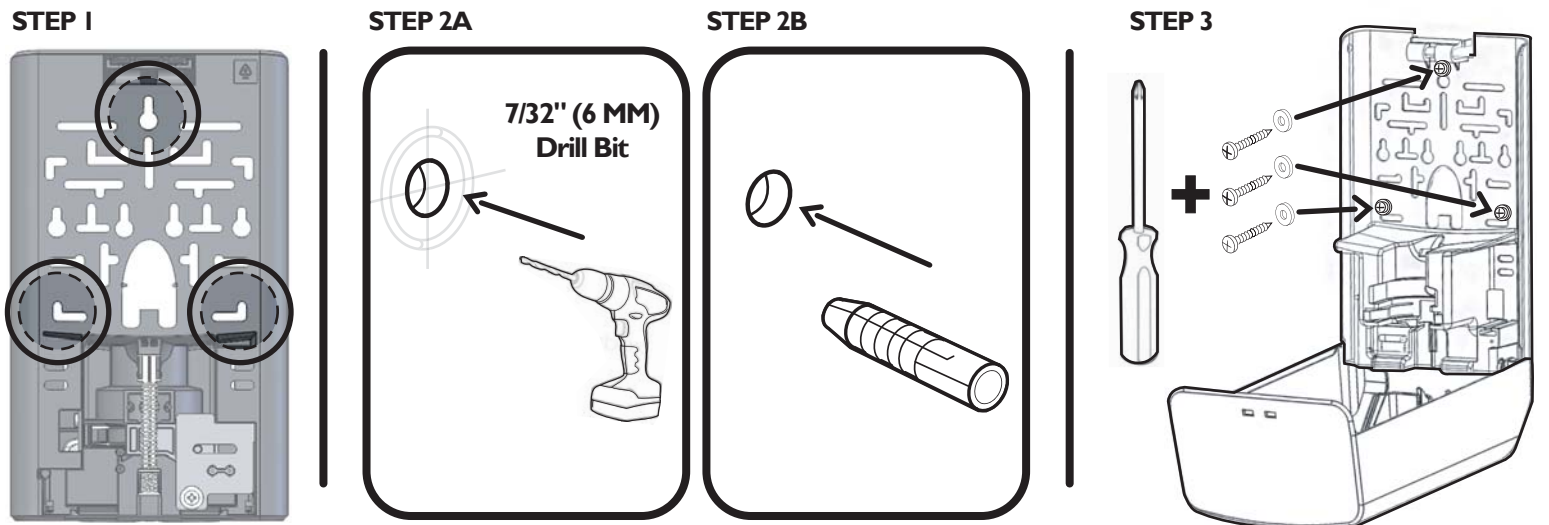
Step 2: Remove the white paper from the one side of the Tape (b).

Place the tape pad within the area indicated by the black dotted lines (c), as shown in the illustration above.

Step 3: Remove the red backing from the tape. Ensure that the dispenser is in a level position on the wall, open cover and press the dispenser firmly for 15 to 20 seconds to allow it to properly adhere to wall.

It's recommended to let the dispenser set up for 24 hours before installing the refill.

3.2 SCREW MOUNTING INSTRUCTIONS



Step 1: The Dispenser housing provides numerous mounting locations. If replacing a competitive unit, determine if one (or more) of the holes match.

If no holes exist on wall or do not properly match, we suggest using the three holes circled above.

Step 2A: Use a 7/32" (6 MM) drill bit to bore the holes on the wall for the anchors, washers and screws provided.

NOTE: Ensure that proper mounting hardware is used for your particular wall composition.

Step 2B: Insert anchors into all three holes.

Step 3: Insert the washers over the screws and then use a screwdriver to insert the screws in to the anchors and tighten the dispenser securely against the wall.